

INSTRUCTIONS FOR INSTALLING A DELIVERY DOOR PIVOT ASSEMBLY REPLACEMENT KIT IN ANY NATIONAL VENDORS® 140-SHOWCASE MERCHANDISER

These instructions cover the procedures for installing a Delivery Door Pivot Assembly Replacement Kit in any 140-Showcase Merchandiser.

Read these instructions carefully and thoroughly before installing the Kit. Retain these instructions for part number and installation information.

The Delivery Door Pivot Assembly Replacement Kit, Part Number 140-2123, contains the following parts:

Part Number	Description	Quantity
140-2043	Delivery Door Pivot Assembly	1
140-2052	No.8-32 Carriage Nut	5
117-0206	No.8-32 x 3/8 THS, Black Screw	5
222-2031	Trim T-Bolt	2
9900-072	No.8-32 Self Locking Nut	2
140-2050	Lift Guide Follower	2
140-2127	Installation Instructions * * *	1

TO INSTALL THE KIT

A. PARTS REMOVAL

1. Unlock and open the Merchandiser Cabinet Door.
2. Remove the screw and Lift Guide Follower from each side of the Delivery Pan Assembly. See Figure 1. Discard these parts.
3. Remove the two screws and the Pivot Rod End Support from each end of Delivery Door Pivot Rod. Retain these parts for use in Section B, INSTALLATION OF THE KIT.
4. Remove the two screws and the Anti Pilferage Retainer from the Door. Retain these parts for use in Section B, INSTALLATION OF THE KIT. See Figure 1.
5. Remove the Delivery Door and Pivot Assembly from the Door. See Figure 1.
6. Remove the five Black Screws and Carriage Nuts which attach the Delivery Door to the the Delivery Door Pivot Assembly. Discard these parts. See Figure 1.

7. Remove the Delivery Door from the Delivery Door Pivot Assembly. Retain the Delivery Door for use in Section B, INSTALLATION OF THE KIT. See Figure 1.

B. INSTALLATION OF THE KIT

1. Slide the Delivery Door, retained in Step 7, Section A, PARTS REMOVAL, into the replacement Delivery Door Pivot Assembly, Part Number 140-2043, included in the Kit. See Figure 2.
2. Align the holes in the replacement Delivery Door with the holes in the Delivery Door Pivot Assembly. See Figure 2.
3. Attach the replacement Delivery Door to the Delivery Door Pivot Assembly with the five No.8-32 x 3/8 THS Black Screws, Part Number 117-0206, included in the Kit and the five No.8-32 Carriage Nuts, Part Number 140-2052, included in the Kit. See Figure 2.
4. Attach the Delivery Door and Pivot Assembly to the Cabinet Door with the Pivot Rod End Supports and Screws removed in Step 3 Section A, PARTS REMOVAL. See Figure 2.
5. Install the Anti Pilferage Retainer and two screws, removed in Step 5, Section A, PARTS REMOVAL, on the Cabinet Door. See Figure 2.
6. Push the Trim T-Bolts, Part Number 222-2031, included in the Kit, through the holes in the ends of the Delivery Door Pivot Assembly with the heads of the Trim T Bolts toward the inside as in Figure 2.
7. Slide the ends of the Delivery Door Pivot Assembly between the end of the Pilferage Door and the Ends of the Delivery Pan so that the Trim T Bolts protrude through the slots in the ends of the Pilferage Door. See Figure 2.
8. Slide the Lift Guide Followers, Part Number 140-2050, included in the Kit, over the Trim T Bolts. See Figure 2.
9. Attach the Lift Guide Followers with the No.8-32 Self Locking Nuts, Part Number 9900-072, included in the Kit. See Figure 2.
10. Close and Lock the Merchandiser Cabinet Door.

Printed in U.S.A.

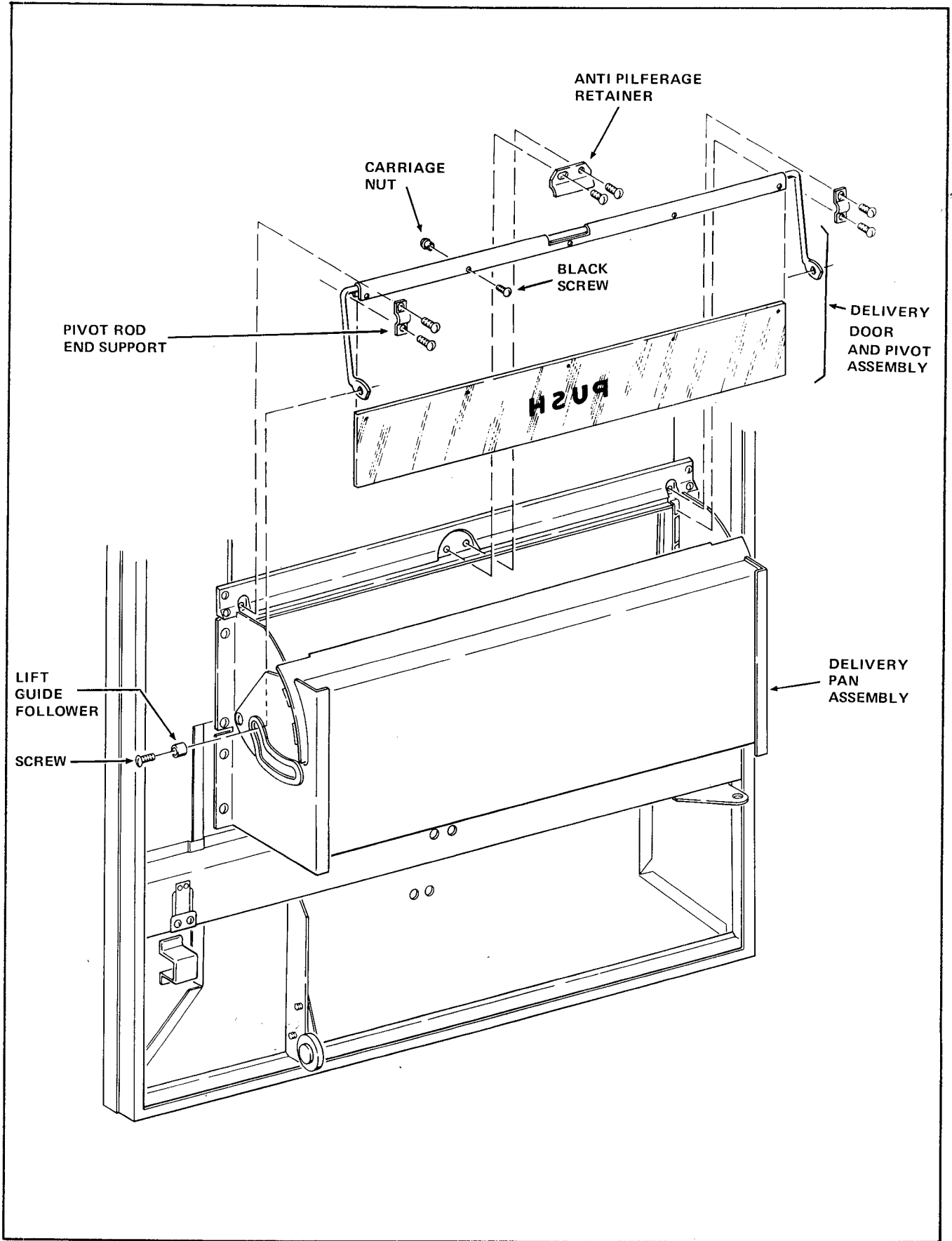


FIGURE 1

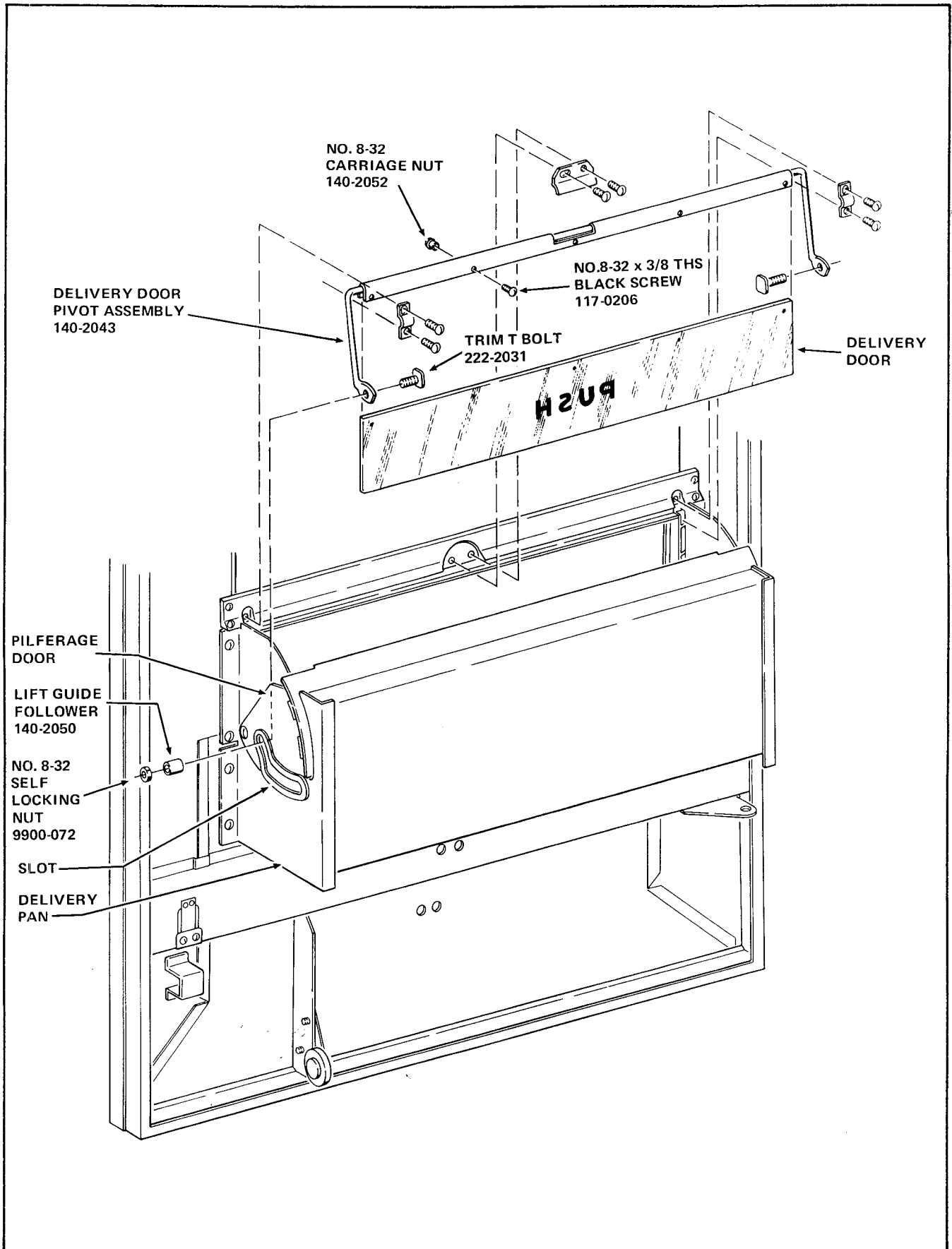


FIGURE 2